



Powered by the impossible

– The next generation of circulators

Grundfos is proud to introduce the next generation of energy efficient circulators – the Grundfos ALPHA™. By incorporating a permanent magnet motor design, power consumption is now reduced by 50%. The Grundfos ALPHA adapts to the variable demands of the system without sacrificing comfort. Using the AUTOADAPT™ feature, the Grundfos ALPHA will analyze the system and adjust to meet your heating demands.

AUTOADAPT™

- Measures system changes automatically
- Maximizes energy savings

Easy-to-use operation

- Select a mode with the touch of a button
- Easy-to-read LED display shows flow indication and power consumption

Simple plug connections

- No wiring required

Cast Iron
ALPHA 15-55F



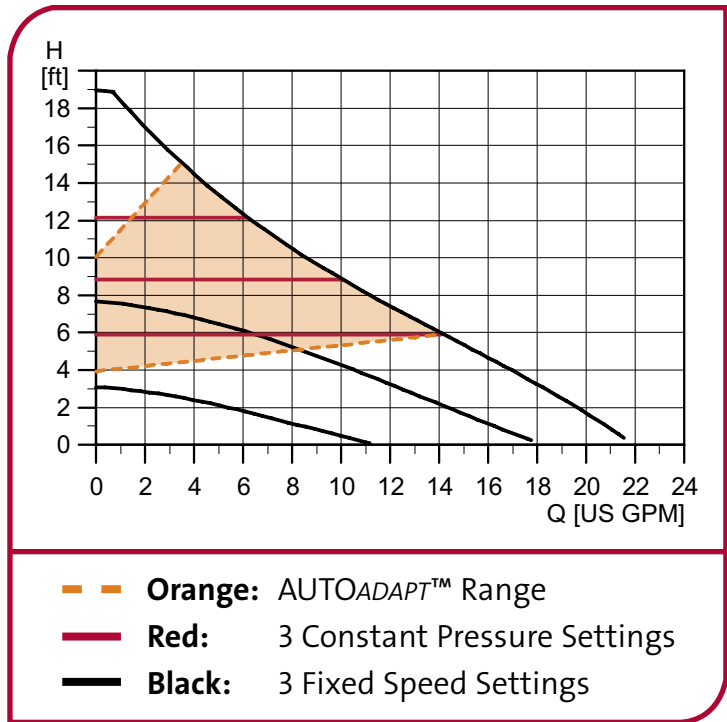
Stainless Steel
ALPHA 15-55SF

Technical Data:

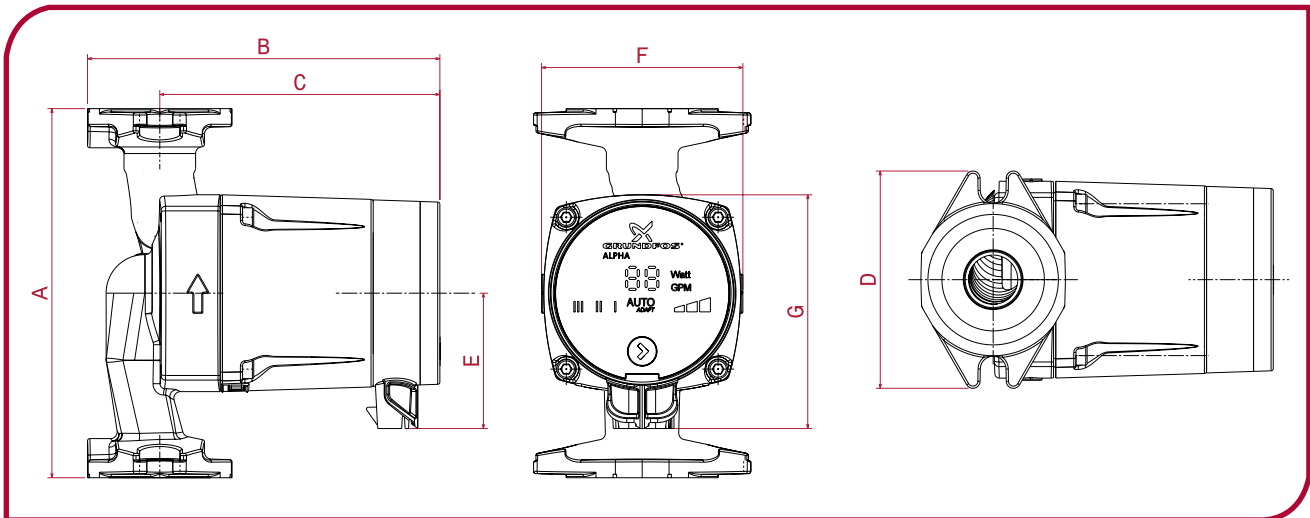
Flow Range: 0 to 21 GPM
 Head Range: 0 to 19 Feet
 Motor: 1X115V
 Min. Fluid Temperature: 36°F (2°C)
 Max. Fluid Temperature: 230°F (110°C)
 Max. Working Pressure: 150 PSI
 Watts: 5-45W
 Amps: 0.65A

Description	Part Number
ALPHA 15-55 F/LC	59896832
ALPHA 15-55 FR/LC	59896833
ALPHA 15-55 SF/LC	59896834
Service Kit - Line cord	91130247

Performance Curve:



Dimensional Drawing:



A	B	C	D	E	F	G
6-1/2	6-3/16	4-15/16	3-13/16	2-3/8	3-7/16	4-1/8

L-AL-SL-001 4/09 (US)