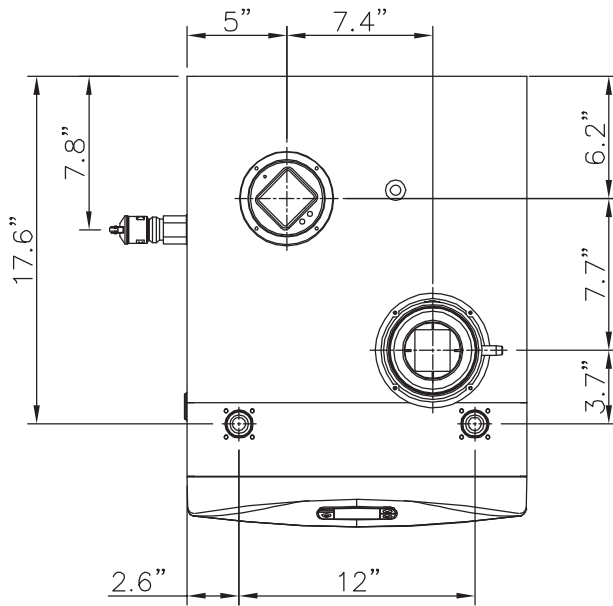


# DIMENSIONS

Direct Vent



Power Vent

